



# HRL-0550-1 HEATLESS DESICCANT AIR DRYER GENERAL ARRANGEMENT

TOLERANCES UNLESS  
OTHERWISE SPECIFIED:

- FRACTIONS = ± 1/4 "
- ANGLES = ± 3°
- INCHES = ± 1/2 "
- FINISH = 250

THE SPECIFICATIONS AND DRAWINGS DISCLOSED HEREIN ARE THE SOLE PROPERTY OF ALTEC AIR, AND SHALL NOT BE COPIED OR USED AS THE BASIS FOR SALE OR MANUFACTURE WITHOUT EXPRESS WRITTEN PERMISSION.

### REVISION LOG

| REV. | ECO. | DESCRIPTION        | DATE      | APPROVED |
|------|------|--------------------|-----------|----------|
| E    | 1185 | PRODUCTION UPDATES | 9/21/2021 | WS       |

DRAWING NO.

**AT20-534**

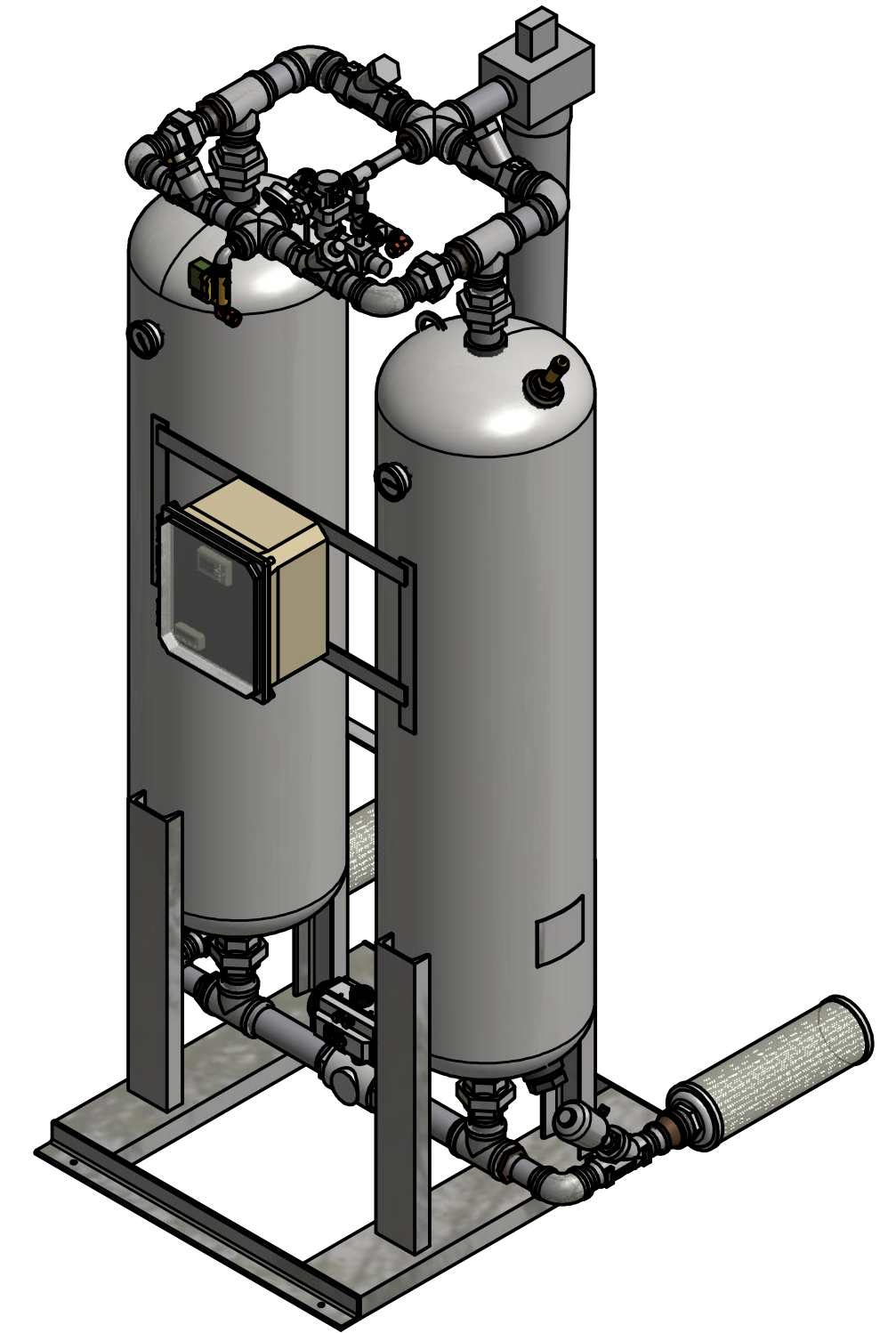
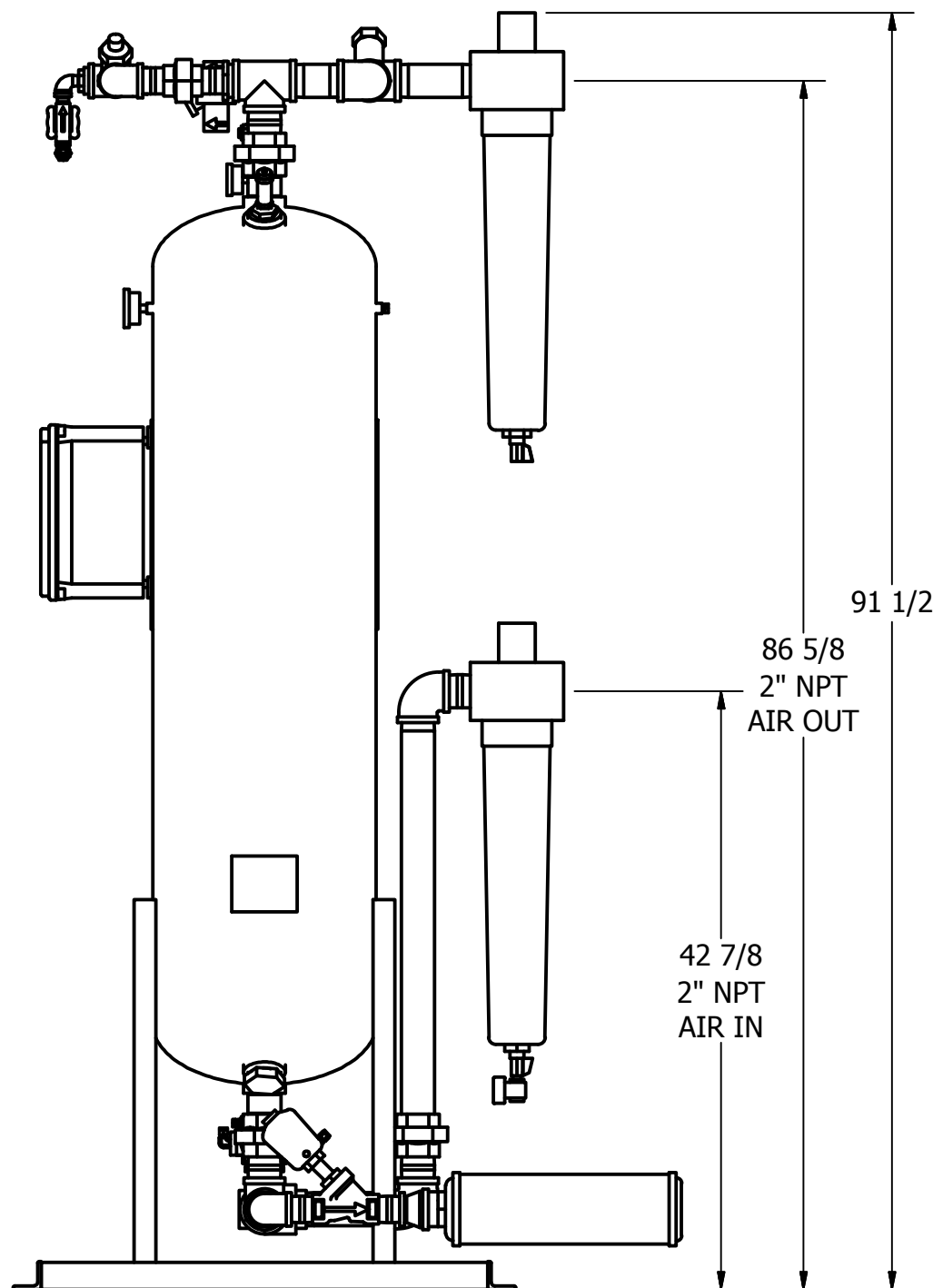
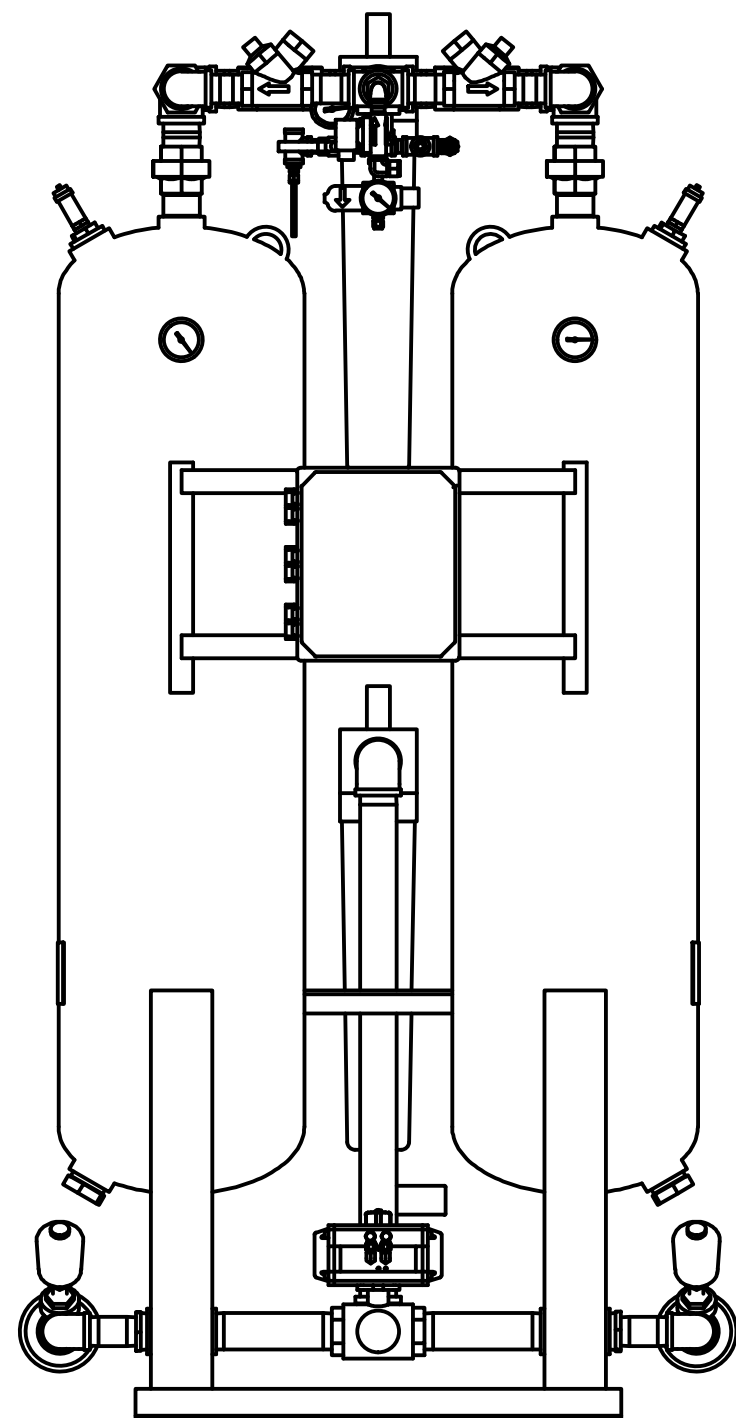
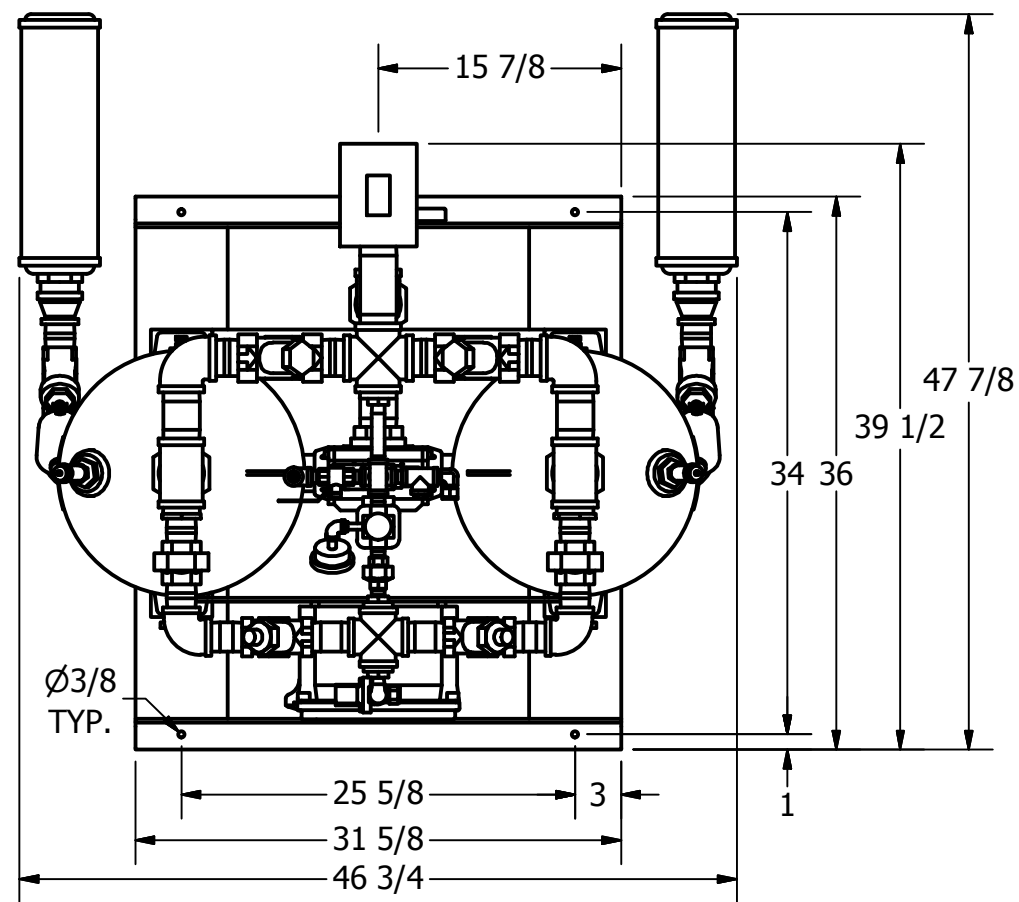
REV.  
**E**

DRAWN: MR  
CHECKED:

DATE: 2/27/2015  
DATE:

SCALE: N/A

SHEET: 1 OF 2



**PRELIMINARY**



# HRL-0550-1 HEATLESS DESICCANT AIR DRYER GENERAL ARRANGEMENT

TOLERANCES UNLESS  
OTHERWISE SPECIFIED:

FRACTIONS = ± 1/4 "  
 ANGLES = ± 3°  
 INCHES = ± 1/2 "  
 FINISH = 250

THE SPECIFICATIONS AND DRAWINGS DISCLOSED HEREIN ARE THE SOLE PROPERTY OF ALTEC AIR, AND SHALL NOT BE COPIED OR USED AS THE BASIS FOR SALE OR MANUFACTURE WITHOUT EXPRESS WRITTEN PERMISSION.

### REVISION LOG

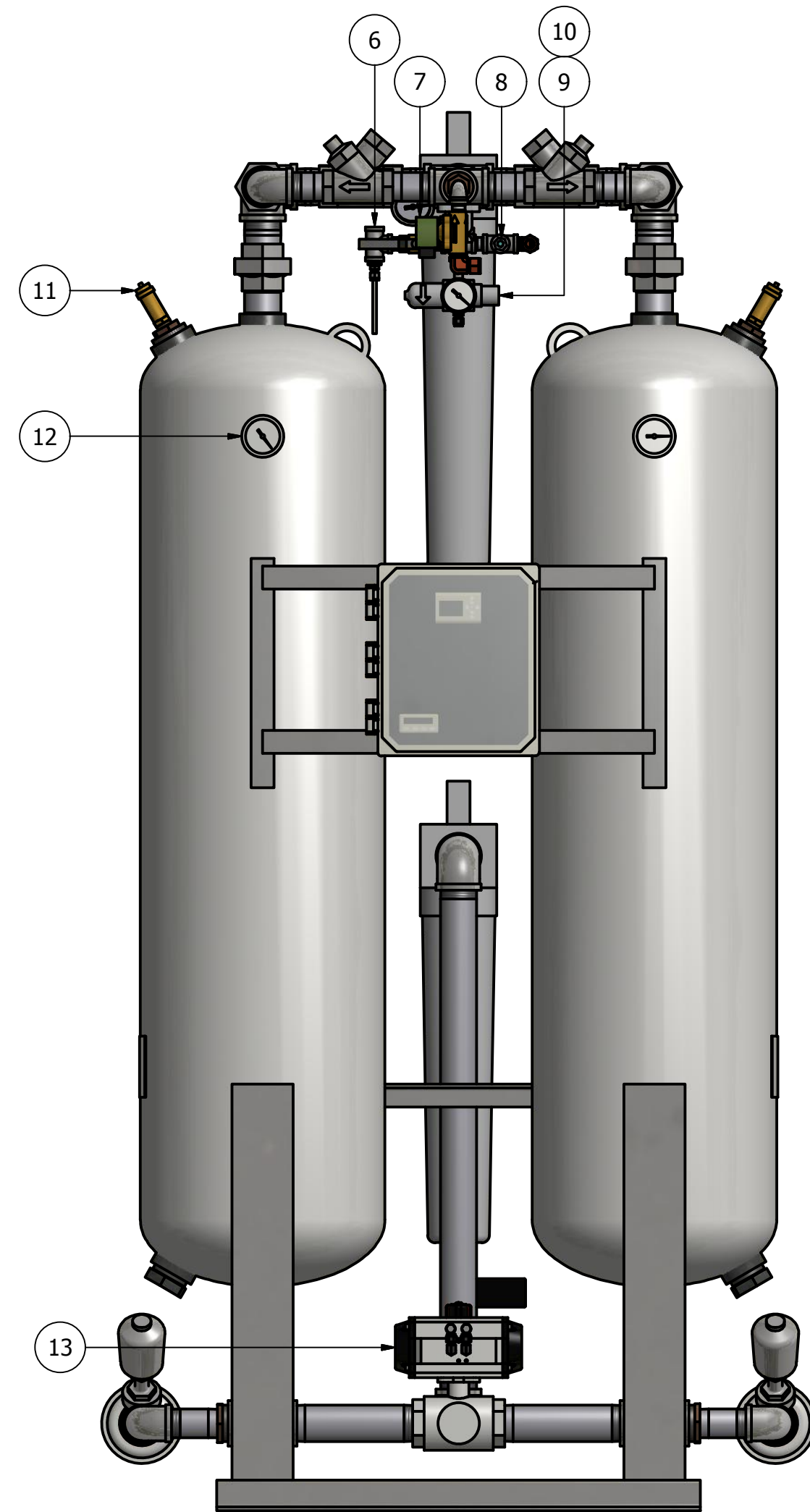
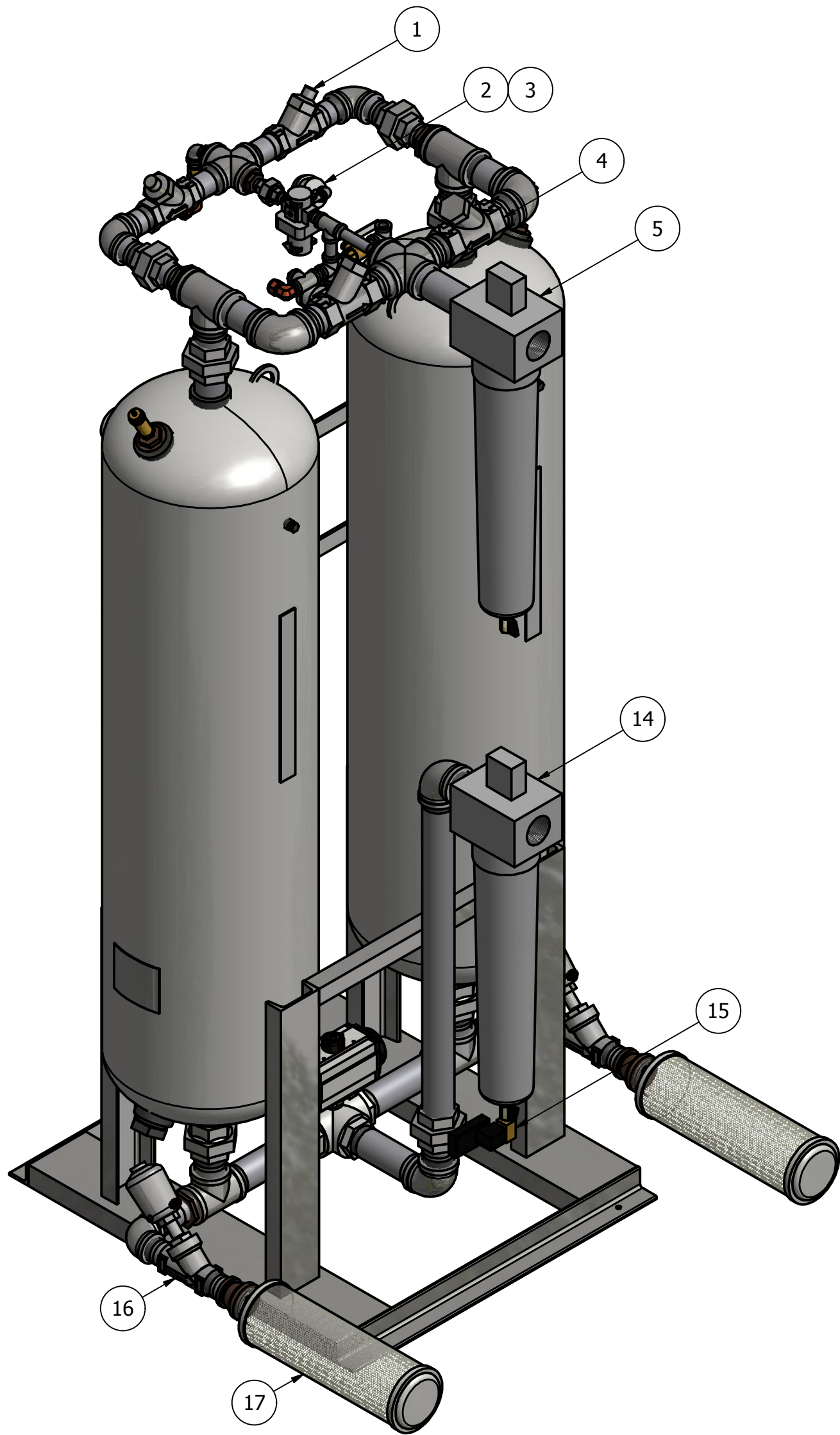
| REV. | ECO. | DESCRIPTION        | DATE      | APPROVED |
|------|------|--------------------|-----------|----------|
| E    | 1185 | PRODUCTION UPDATES | 9/21/2021 | WS       |

DRAWING NO. **AT20-534** REV. **E**

DRAWN: MR DATE: 2/27/2015  
 CHECKED: DATE: SCALE: N/A SHEET: 2 OF 2

### PARTS LIST

| ITEM | QTY     | DESCRIPTION                  |
|------|---------|------------------------------|
| 1    | 2       | CHECK VALVE, PURGE           |
| 2    | 1       | PRESSURE REGULATOR, PURGE    |
| 3    | 1       | PRESSURE GAUGE, PURGE        |
| 4    | 2       | CHECK VALVE, OUTLET          |
| 5    | 1       | PARTICULATE AFTER-FILTER     |
| 6    | 1       | DEW POINT MONITOR (OPTIONAL) |
| 7    | 1       | REPRESS VALVE                |
| 8    | 1       | MOISUTRE INDICATOR           |
| 9    | 1       | PRESSURE REGULATOR, CONTROL  |
| 10   | 1       | PRESSURE GAUGE, CONTROL      |
| 11   | 2       | RELIEF VALVE, TANK           |
| 12   | 2       | PRESSURE GAUGE, TANK         |
| 13   | 1       | 3-WAY BALL VALVE, INLET      |
| 14   | 1       | COALESCER PRE-FILTER         |
| 15   | 1       | TIMED DRAIN                  |
| 16   | 2       | ANGLE BODY VALVE, EXHAUST    |
| 17   | 2       | MUFFLER, EXHAUST             |
| 18   | 600 LBS | DESICCANT                    |



**PRELIMINARY**